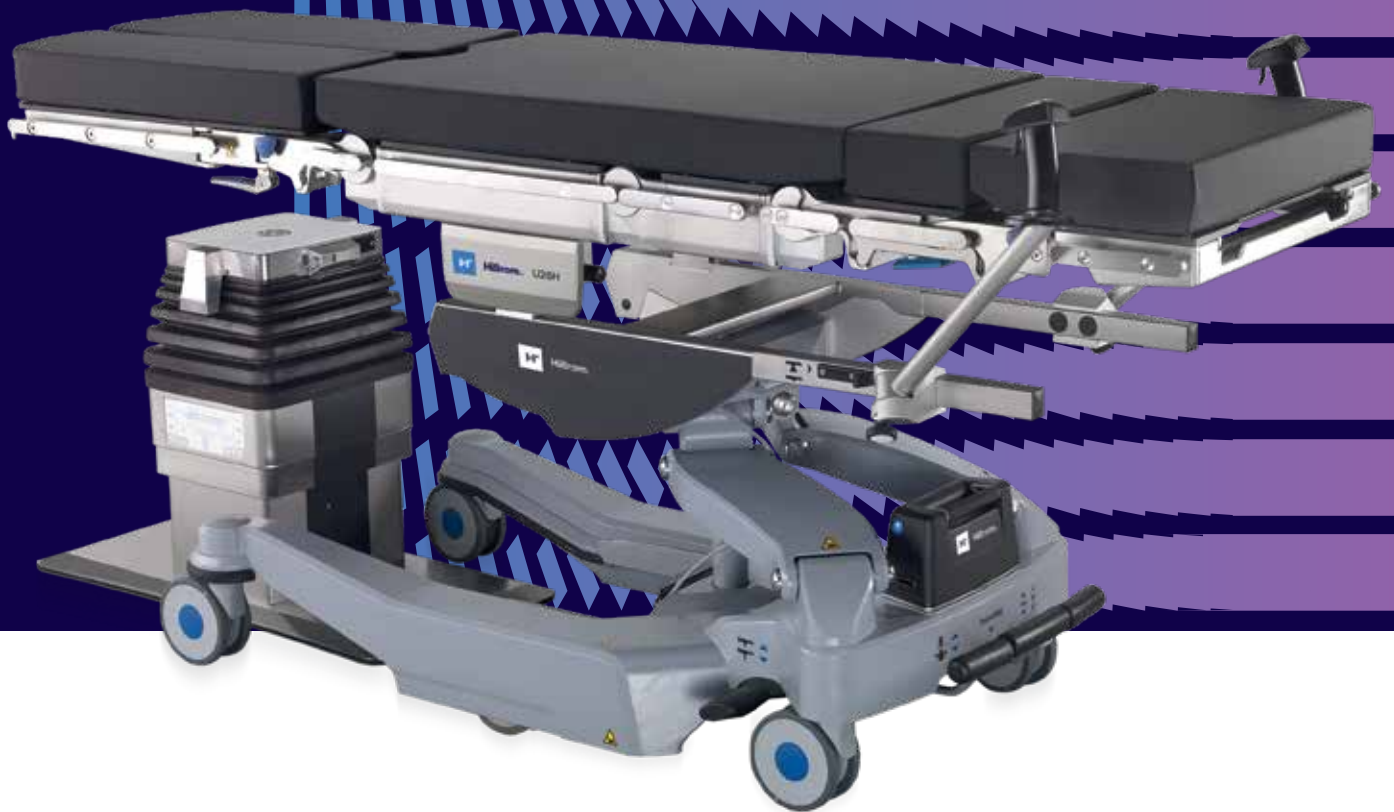




Hillrom™



TS7500 Surgical Table

Ahead of its time



CUTTING-EDGE TECHNOLOGY

Now and in the Future

Current requirements in the OR demand a high level of flexibility and safety. To make workflow as efficient as possible, Hillrom developed the trend-setting TS7500 OR System Table, which enables highly ergonomic working methods for patient loads of up to 400 kg / 880 lbs. In addition, the TS7500 SensorLine package helps to enhance safety and efficiency of patient care.

The result is an innovative solution that helps to ensure your OR is fit for the future.

SAFE, ERGONOMIC AND EFFICIENT

TS7500 OR System Table enhances functionality, ease of use and design.

SAFE WORKFLOW

With the SensorLine enhancement package, TS7500 OR Table offers assistance functions including collision monitoring and overload protection, to make working in the OR even safer.

IMPRESSIVE FLEXIBILITY

TS7500 OR System Table offers extreme adjustment ranges and is suitable for a wide variety of disciplines.

ERGONOMIC HANDLING

Due to the intuitive coupling point system, all components can be exchanged with ease. A reduction of up to 25% in component weight also simplifies day-to-day handling in the OR.





The TS7500 System Table integration interface allows for communication with multiple imaging partners.

TS7500 HYBRID COLUMN

The Center of the Hybrid OR

The Hybrid OR with modern imaging is the future of integrated patient care. With an OR system table in your Hybrid OR, you gain full freedom for use in minimally invasive and interdisciplinary applications. The TS7500 OR System Table provides flexible room usage leading to adaptable scheduling and heightened uptime and higher profitability.



CARBON FLOATLINE – ACCURATE PATIENT POSITIONING USING INTELLIGENT SENSOR TECHNOLOGY

- Assistance in vascular surgery through rotation around a fixed isocenter in the image with TS7500 SensorLine with optional head section, not pictured.
- Maximum comfort during neurosurgical procedures with a radiolucence of up to 82.7" / 2,100 mm through 360°.
- Free-floating movement using the power-sensor-assisted Sensor Control FloatLine operating unit.



TS7500 SURGICAL TABLE – A SOLUTION FOR CRANIAL, SPINAL AND TRAUMATOLOGICAL PROCEDURES

In combination with the Airo Mobile Intraoperative CT Scanner by Mobius, the TS7500 OR System Table facilitates an ideal workflow for interoperative imaging. With positioning sets, carbon components and accessories for cranial, spinal, and traumatological interventions, the replaceable tabletop system is the unique solution for optimizing workflow in Hybrid ORs.



SAFE AND WELL-DESIGNED TS7500 SENSORLINE

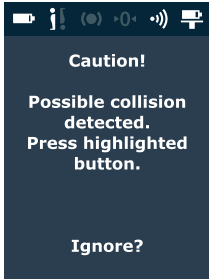
The TS7500 SensorLine package offers additional safety and flexibility, enabling you to meet your individual requirements in various applications and configurations.

INTELLIGENT ADDITIONAL FUNCTIONS – IDEAL FOR ANY APPLICATION

- Individually customized tabletop articulations for patient transport on the shuttle.
- Configurable transfer height for efficient patient transfer.
- Rotation around a fixed isocenter for visibility during minimally invasive procedures.
- Enhanced Trendelenburg/tilting ratio for optimal access during laparoscopic surgery.
- Efficient Trendelenburg adjustment for patient care in emergencies.
- Control panel lock for additional protection during procedures.



TS7500 SensorLine Package

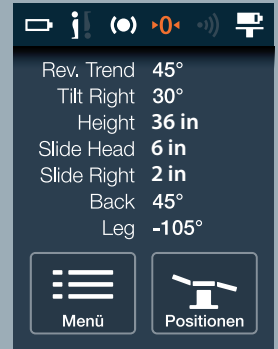


Collision monitoring through detection and avoidance.

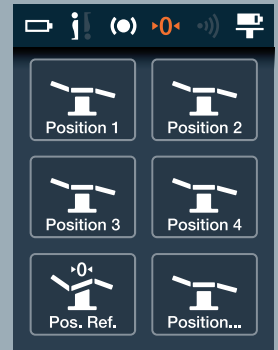


Overload protection for increased patient safety.

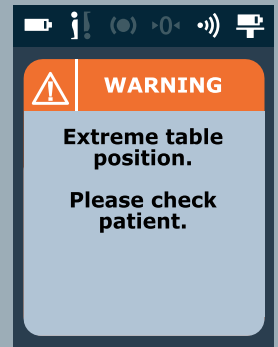
Simple, intuitive operation.



Real-time table status.



Rapid memory position.



Built-in alert system for patient safety.

SAFE POSITIONING FOR EVERY PROCEDURE

TS7500 Operating Table offers a high number of positioning options for a wide variety of applications: from general and neurosurgery to gynecology, urology, traumatology, and orthopedics. Flexibility is further increased by a wide range of positioning pads and special table accessories.



GYNECOLOGY



**ORTHOPEDICS
AND TRAUMA**



THORACIC SURGERY



GENERAL SURGERY



NEUROVASCULAR



NEUROSURGERY



The TS750 Operating Table allows safe positioning in a variety of procedures, including bariatric due to its weight limit of 400 kg (880 lb).



SPINAL SURGERY



ORTHOPEDICS



VASCULAR SURGERY

Assisted Transfer with Shuttle

Optimize workflow within the OR with the TS750 Operating Table. The exchangeable tabletop system enables patient transport within the following areas of the surgical suite:



TRANSFER AND PREPARATION

While working in the OR, the anaesthetic can be administered to the patient on the shuttle.



OPERATING ROOM

Safe and precise transfer in just a few steps.

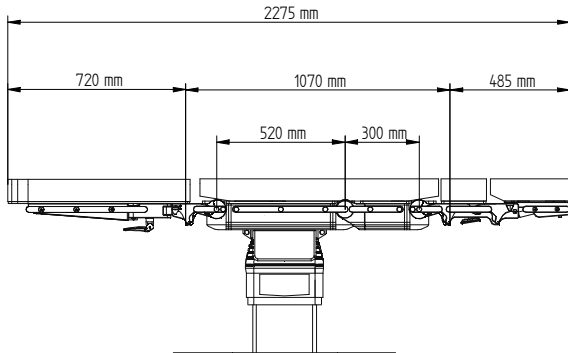


RECOVERY

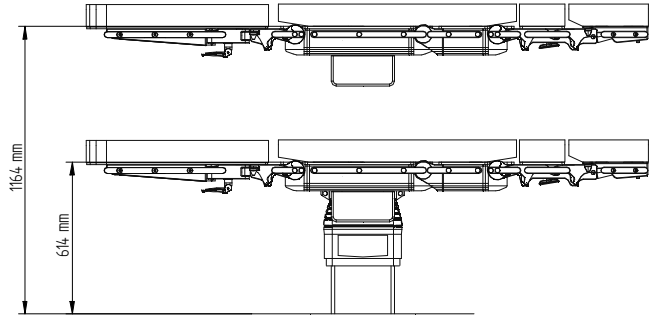
Ergonomic patient transfer in the recovery area.

Technical Data in Detail

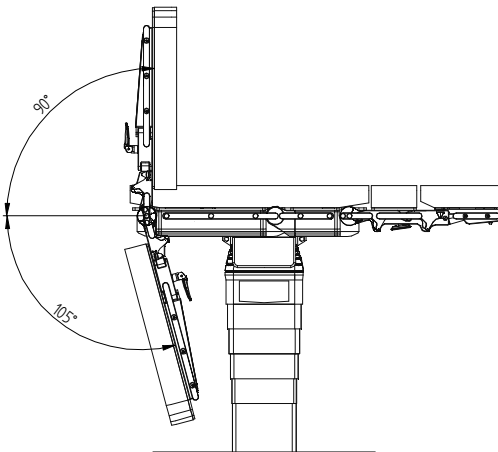
1



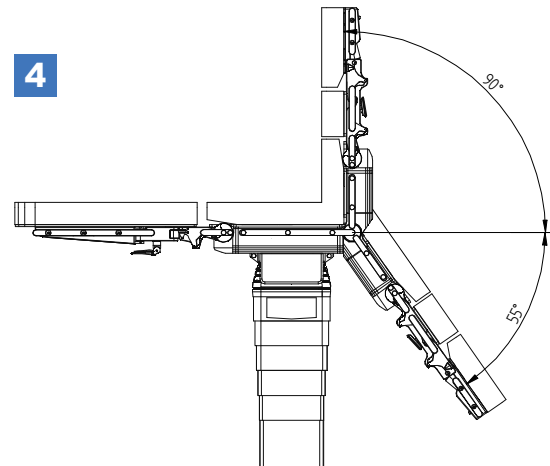
2



3



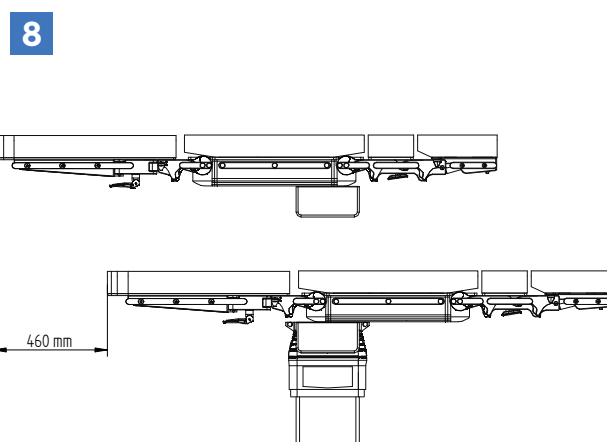
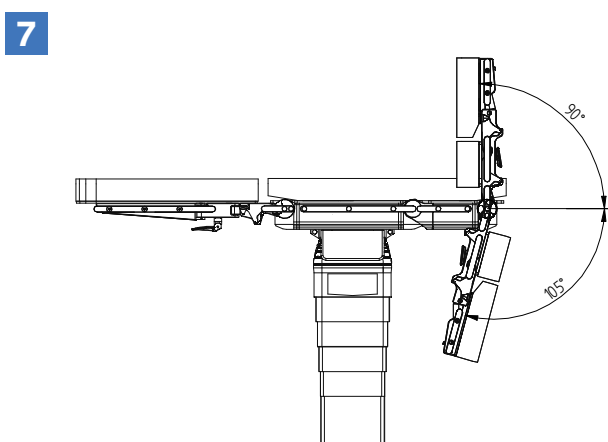
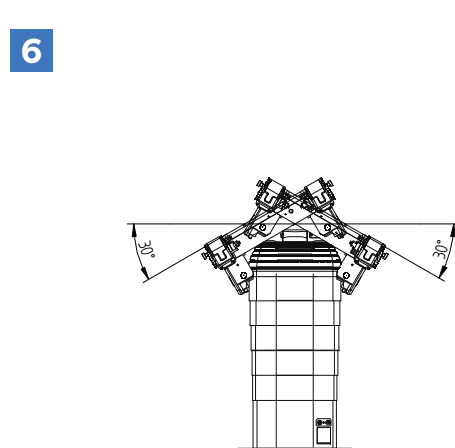
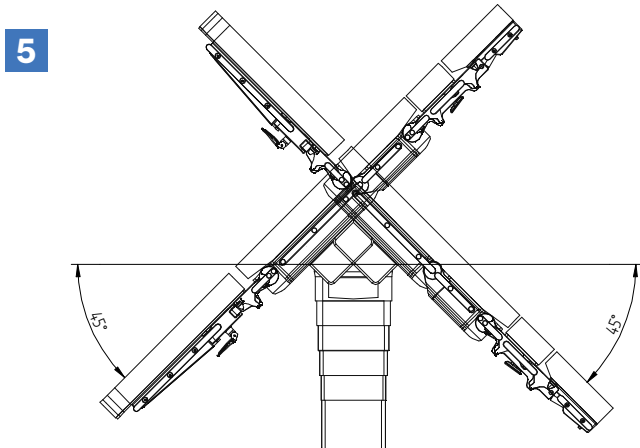
4



OR table columns	OR table column SC	OR table column FC	OR table column SMC, hybrid MC ²	OR table column hybrid SC, FC
Rotation	360° without stop	360° without stop	350° with stop	350° with stop
Column height	490 mm-1,040 mm (19.3"-40.9")	520 mm-1,070 mm (20.5"-42.1")	510 mm-1,060 mm (20.1"-41.7")	490 mm-1,040 mm (SC), (19.3"-40.9") 520 mm-1,070 mm (FC) (20.5"-42.1")
Min. height incl. universal tabletop H	592 mm (23.3")	622 mm (24.5")	612 mm (24.1")	—
Height adjustment range	550 mm (21.7")	550 mm (21.7")	550 mm (21.7")	550 mm (21.7")
Column cross-section (LxW)	314 mm x 375 mm (12.4" x 14.8")	314 mm x 375 mm (12.4" x 14.8")	314 mm x 375 mm (12.4" x 14.8")	314 mm x 375 mm (12.4" x 14.8")
Trendelenburg/tilting	± 45° / ± 30°	± 45° / ± 30°	± 45° / ± 30°	± 45° / ± 30°
Height of base plate	—	—	25 mm (1")	—
Max. weight capacity ¹	400 kg (880 lbs)	400 kg (880 lbs)	400 kg (880 lbs)	400 kg (880 lbs)

1. With restrictions, depending on position of patient.

2. Cleaning shuttle for raising the mobile column enables cleaning of the underside of the base plate.



Drawings 1–7: OR table column mobile with universal OR tabletop U26 H
 Drawing 8: OR table column mobile with universal OR tabletop U14 H

OR tabletops	Universal OR tabletops ³⁻⁵			Special OR tabletops ³⁻⁵	
	U14 H	U24 H	U26 H	ST26 H	Carbon FloatLine
Length	1,070 mm (42.1")	1,070 mm (42.1")	1,070 mm (42.1")	1,070 mm (42.1")	2,290 mm (90.2")
Width across standard rails	832 mm (32.8")	600 mm (23.6")	600 mm (23.6")	600 mm (23.6")	520 mm (20.5")
Adjustment range joint leg plate	+ 90° / - 105°	+ 90° / - 105°	+ 90° / - 105°	+90° / -105°	—
Adjustment range joint upper back section input	—	—	+ 90° / - 105°	+90° / - 105°	—
Adjustment range joint lower back section input	+ 90° / - 105°	+ 90° / - 55°	+ 90° / - 55°	+ 90° / - 55°	—
Trendelenburg	—	—	—	± 20°	—
Longitudinal shift	460 mm (18.1")	400 mm (15.8")	400 mm (15.8")	400 mm (15.8")	800 mm (31.5")
Transverse shift	—	—	—	—	± 125 mm (4.9")

3. Different operating devices available: cable remote control and chargers for wireless remote control (mobile and wall installation).

4. H tabletops are available with Balanced pads, CFL and ST26 are available with Balanced or Comfort Plus pads.

5. The universal OR tabletops are also available as a washable version.



ABOUT HILLROM

Hillrom is a global medical technology leader whose 10,000 employees have a single purpose: enhancing outcomes for patients and their caregivers by advancing connected care. Around the world, our innovations touch over 7 million patients each day. They help enable earlier diagnosis and treatment, optimize surgical efficiency and accelerate patient recovery while simplifying clinical communication and shifting care closer to home. We make these outcomes possible through connected smart beds, patient lifts, patient assessment and monitoring technologies, caregiver collaboration tools, respiratory care devices, advanced operating room equipment and more, delivering actionable, real-time insights at the point of care. Learn more at hillrom.com.

For more information, please contact
your local Hillrom representative.

Hillrom
Amerika Building (7th Floor),
Hoogoorddreef 15
1101 BA Amsterdam, The Netherlands

hillrom.com

TS7500 naming corresponds to the following CE registered products: TS 7500 - 4091000

The TS7500 Surgical Table is intended to be used by clinicians and medically qualified personnel. This medical device is a regulated healthcare product which, pursuant to such regulation bears a CE mark. Hill-Rom recommends that you carefully read the detailed instructions for safe and proper use included in the documents accompanying the medical devices. The personnel of healthcare establishments are responsible for the proper use and maintenance of these medical devices. Hill-Rom reserves the right to make changes without notice in design, specifications and models. The only warranty Hill-Rom makes is the express written warranty extended on the sale or rental of its products. TRUMPF Medizin Systeme GmbH + Co. KG is a subsidiary of Hill-Rom Holdings, Inc.