

## Product Description

FreeStand is a freestanding lift system that is intended for use where there is need for lifting in a specific location, e.g., near a bed or in a hygiene room, etc.

Freestanding systems are a good alternative if you need the features of a fixed-installation overhead lift system but do not wish to install permanent fixtures in the walls or ceiling, or if the need for lifting is only temporary.

With its simple and safe structural design, the FreeStand lift system is ideal for home-care and other care settings.

Since FreeStand requires no wall or ceiling fixtures, it enables great flexibility of placement in the room.

The width of the FreeStand rail system depends on the choice of lift rail length. The lift rail (H100) is available in 7 different lengths: from 2.0 m (79 inch.) up to 3.2 m (126 inch.).

For a complete lift system, FreeStand is combined with lift rail H100, a lift unit, parking set and other accessories.

With the FreeStand lift system, Liko's stationary lifts Multirall or Likorall are used.

FreeStand complies with EN ISO 10535 according to the requirements of directives for medical- technical products, MDD 93/42/EEC.

*In this document, the person being transferred is referred to as the patient and the person helping them is referred to as the caregiver.*

**△ Caution triangles are used to warn of situations that demand extra care and attention.**

### **IMPORTANT!**

Read the instructions for both the patient lift and the lifting accessories before use.

Lifting and transferring a patient always involves a degree of risk. A complete understanding of the contents of instructions is essential, and only trained personnel should use the equipment.

When in doubt, contact Liko.

# Contents

Safety Instructions .....	2
Product Description .....	3
Lift Unit .....	3
Lifting Accessories.....	3
Technical Data/Measurements .....	4
Assembly Instructions.....	5-8
Operation.....	8
Disassembly .....	9
Inspection and Maintenance.....	10

## **△ NOTE!**

This instruction guide contains important information about the use of the product. All personnel who use this product must be thoroughly familiar with the contents of this instruction guide. Remember to keep the instructions where they are easily accessible for users of the product.

## **Safety Instructions**

### **△ Before using the product, make certain that:**

- FreeStand and the lift unit are assembled according to the instructions.
- Lifting devices are properly connected to the lift.
- You have read and understood the instruction guides for FreeStand, the lift unit and lifting accessories.
- Personnel using the products have received appropriate instructions and training.
- You have checked to ensure that lifting accessories are not damaged.
- The appropriate lifting accessory regarding type, size, material and design in proportion to the patient is used.
- The lifting accessory is correctly and securely applied to the patient, so that there is no risk of personal injury.

### **△ Never leave a patient unattended during a transfer with FreeStand!**

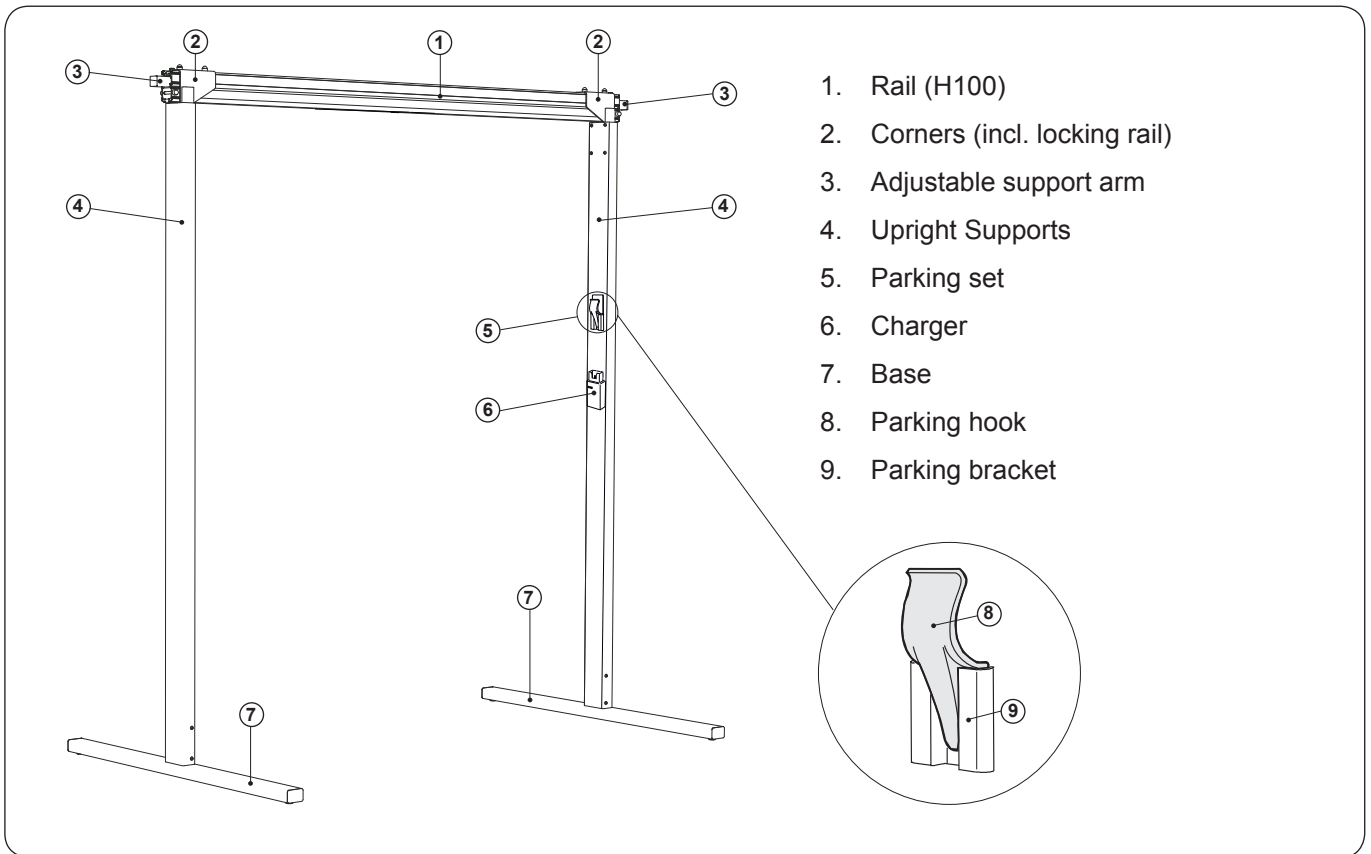
FreeStand complies with EN ISO 10535.

Particular care must be taken when using strong sources of potential disturbance, such as diathermy, etc, so that cables are not positioned on or near the lift. If you have questions, please consult the responsible assistive-device technician or the supplier.

### **Max. load: 200 kg (440 lbs.)**

FreeStand is a composite product system consisting of a lift system, lift unit and lifting accessories. For current product information, please refer to our website, [www.liko.com](http://www.liko.com). Instruction guides are also available on the website for downloading, free of charge. When in doubt, contact Liko.

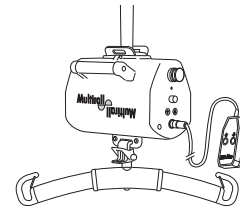
## Definitions



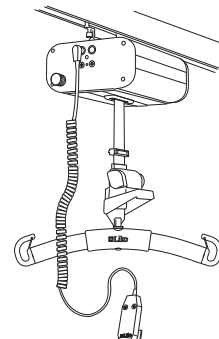
## Lift Unit

FreeStand is intended for use in combination with the Likorall or Multirall lift units.

Installation of the Multirall lift unit on FreeStand is described in the Multirall instruction guide.



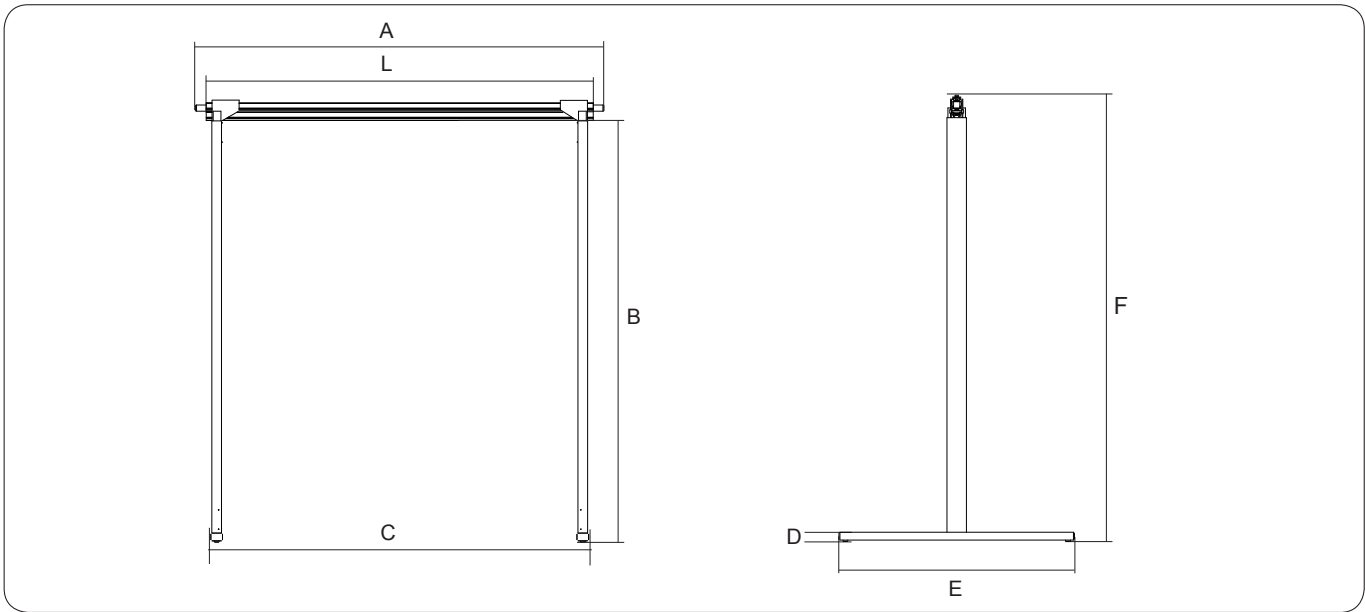
Installation of the Likorall lift unit on FreeStand is described in this instruction guide.



## Lifting Accessories

For appropriate accessories, see the instruction guide for the respective lift unit.

## Technical Data/Measurements



Max. load and weight in **kg**. Dimensions in **mm**.

Max. load	L	A <sub>max</sub>	A <sub>min</sub>	B	C	D	E	F	Weight	
									tot.	part*
200	2000	3710	2040	2180	2010	45	1210	2302	27.5	7.3
200	2200	3910	2240	2180	2210	45	1210	2302	28.2	8.0
200	2400	4110	2440	2180	2410	45	1210	2302	29.0	8.8
200	2600	4310	2640	2180	2610	45	1210	2302	29.7	9.5
200	2800	4510	2840	2180	2810	45	1210	2302	30.4	10.2
200	3000	4710	3040	2180	3010	45	1210	2302	31.2	11.0
200	3200	4910	3240	2180	3210	45	1210	2302	31.9	11.7

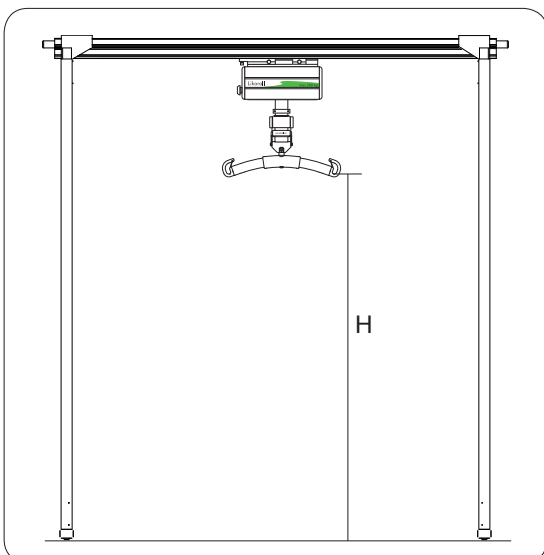
\* Weight of the single heaviest component on the FreeStand system when disassembled.

Max. load and weight in **lbs**. Dimensions in **inches**.

Max. load	L	A <sub>max</sub>	A <sub>min</sub>	B	C	D	E	F	Weight	
									tot.	part*
440	78.8	146.1	81.3	85.8	79.1	1.8	47.6	90.6	61	16
440	86.6	153.9	88.2	85.8	87.0	1.8	47.6	90.6	62	18
440	94.5	161.8	96.1	85.8	94.9	1.8	47.6	90.6	64	19
440	102.4	169.7	103.9	85.8	102.8	1.8	47.6	90.6	66	21
440	110.2	177.6	111.8	85.8	110.6	1.8	47.6	90.6	67	23
440	118.1	185.4	119.7	85.8	118.5	1.8	47.6	90.6	69	24
440	126.0	193.3	127.6	85.8	126.4	1.8	47.6	90.6	70	26

\* Weight of the single heaviest component on the FreeStand system when disassembled.

### Lifting Height with Lift Unit



The highest lifting height (H) varies depending on the choice of lift unit model.

#### Examples:

- Likorall 242 with mechanical emergency lowering:  
H = 1715 mm (67.5 inches.)
- Likorall 242 without mechanical emergency lowering:  
H = 1820 mm (71.7 inches.)
- Multirall: H = 1740 mm (68.5 inches.)

All lift units with Universal Slingbar 450.

Contact Liko for more information.

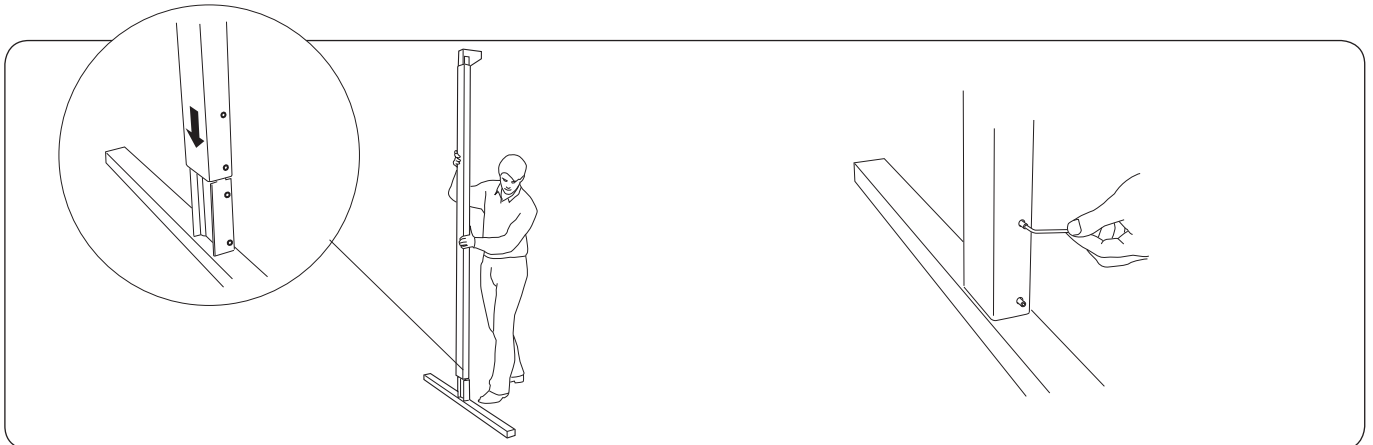
# Assembly Instructions

**Before assembly, check to ensure that you have the following components:**

- Upright supports with pre-mounted corners including locking rail (2 pcs) and double-adhesive tape for charger (mounted on one of the uprights)
- Rail H100 (max 3.2 m/126 inch.)
- Base (2 pcs)
- Support arm (2 pcs)
- End stop assembly kit
- Charger
- Parking set, with hook and bracket with double-adhesive tape and wear-guard foil
- Complete lift unit with slingbar, handcontrol and rail carriers

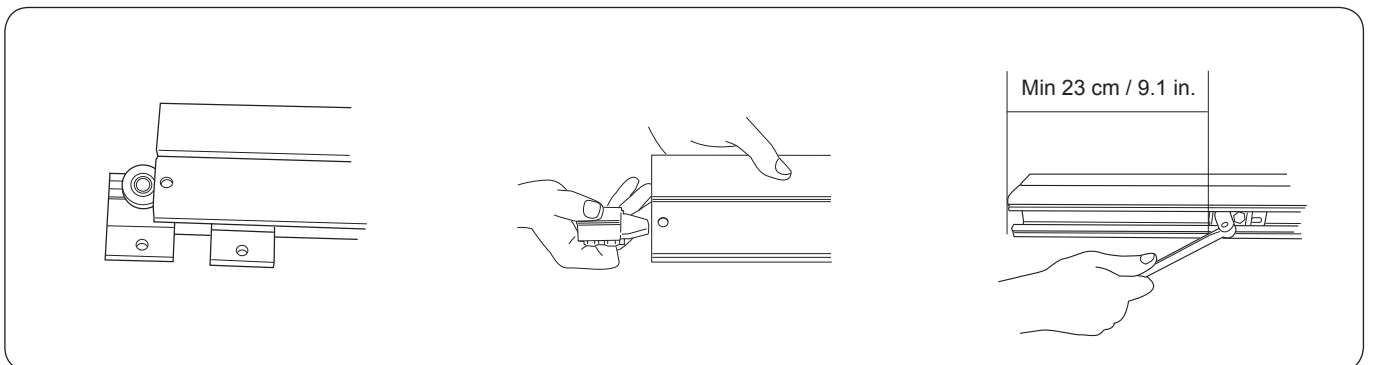
**The following tools are required for assembly of FreeStand:**

- Ring spanner 13 mm/0.5 inch. (2 pcs) 
- (alt. one ring spanner 13 mm/0.5 inch. and one universal-joint socket wrench 13 mm/0.5 inch.)
- Allen key 4 mm/0.16 inch. 



1. Turn the base so that the holes will align with the holes on the upright support. Mount the upright support on the base.

2. Affix the upright support to the base with the screws provided (2 on each side of each upright support, 4 screws per upright). Repeat steps 1 and 2 with the other upright support and base.

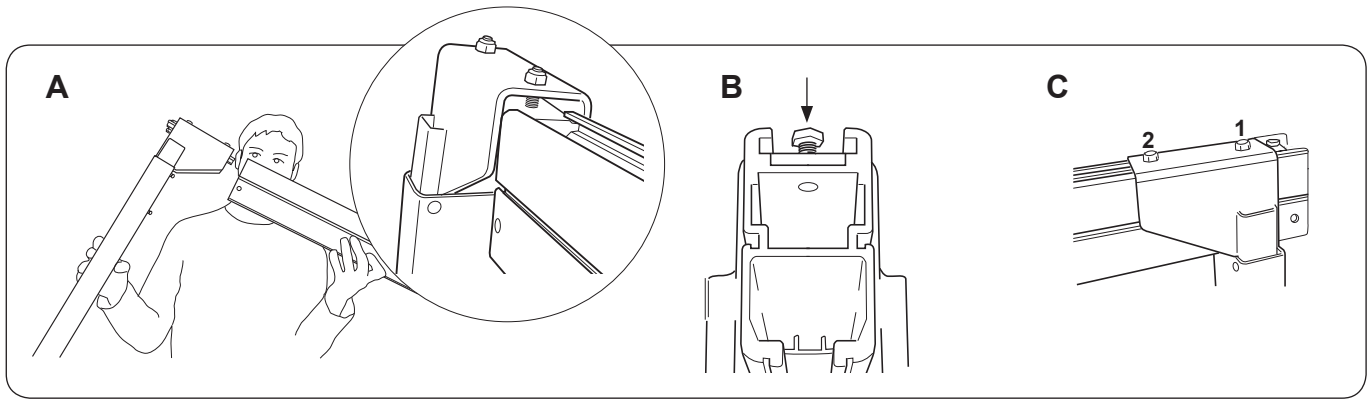


3. Insert the rail carriers for the selected lift unit into the rail.

4. Insert one end stop in the lower track on the rail, as illustrated.

5. To prevent the lift unit from hitting the upright supports, position the end stops at least 23 cm (9.1 inch.) from the rail ends. Secure the end stop in position by tightening the screws (see illustration). Repeat steps 4 and 5 at the other end of the rail.

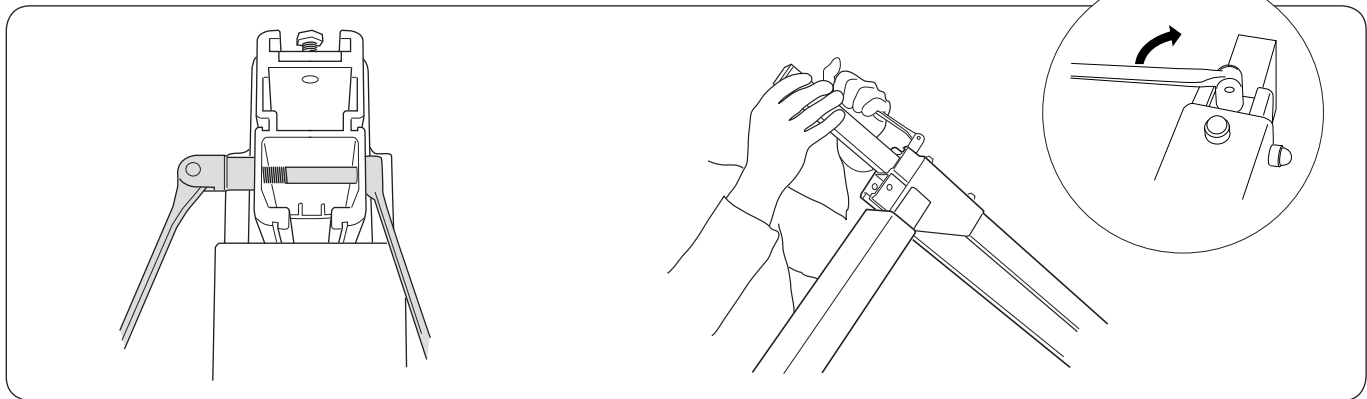




6. A. Insert the rail into the corner of the upright support. Check to ensure that the locking rail fits into the upper track on the rail (see inset illustration).

B. Screw the outermost screw on the locking rail part way into the hole on the top of the rail. NOTE! Do not tighten the screw, as this will prevent insertion of the support arm.

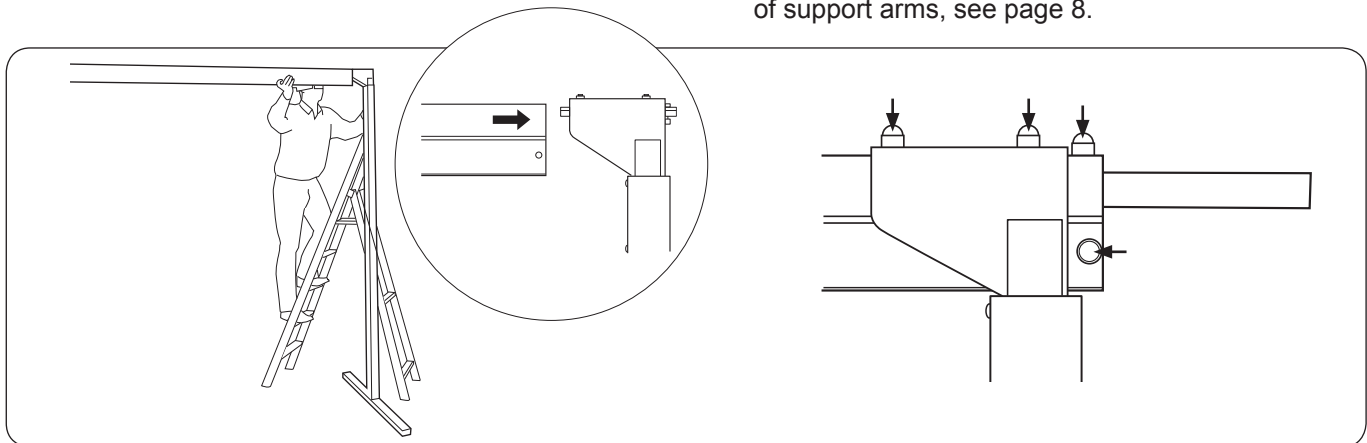
C. Affix the rail to the corner by tightening the screws on the top of the corner (1 and 2).



7. Mount the stop bolts in the rail ends, as illustrated.

8. If support arms are to be used, do as follows: Insert the support arm into the upper part of the rail. Secure the support with the screw on the top of the locking rail (see 6. B).

NOTE! The support arm may only protrude at most 855 mm (33 inch.); the red marking must not be visible. For recommendations concerning use of support arms, see page 8.



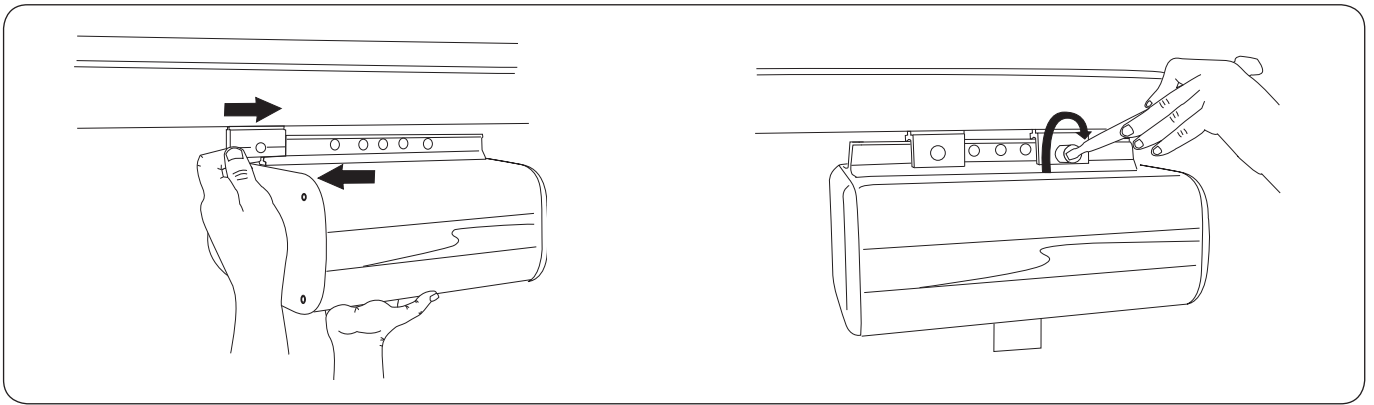
9. Insert the rail into the corner of the other upright support, as illustrated. Repeat steps 6 to 8 (above).

10. Press cover caps onto the screw heads on the corners/locking rails and stop bolts on both ends of the rail. The FreeStand lift system is now assembled.

11. Mount the lift unit on the twin rail carriers (already mounted on the rail). Note that FreeStand is delivered without rail carriers. Follow the mounting instructions for Likorall on page 7. For mounting Multirall, see the Multirall instruction guide.

**△ Before use, study the instruction guide for the respective lift unit!**

## Mounting a Likorall Lift Unit



Loosen and remove the nuts and bolts from the rail carriers. Guide the lift unit onto one of the rail carriers. Use the nut and bolt provided to secure the rail carrier to lift unit via the outermost hole in the mounting rail on the top of the lift unit.

Guide the other rail carrier onto the lift unit's mounting rail and align it with the outermost hole. Use the nut and bolt provided to secure the rail carrier to lift unit via the outermost hole in the mounting rail on the top of the lift unit.

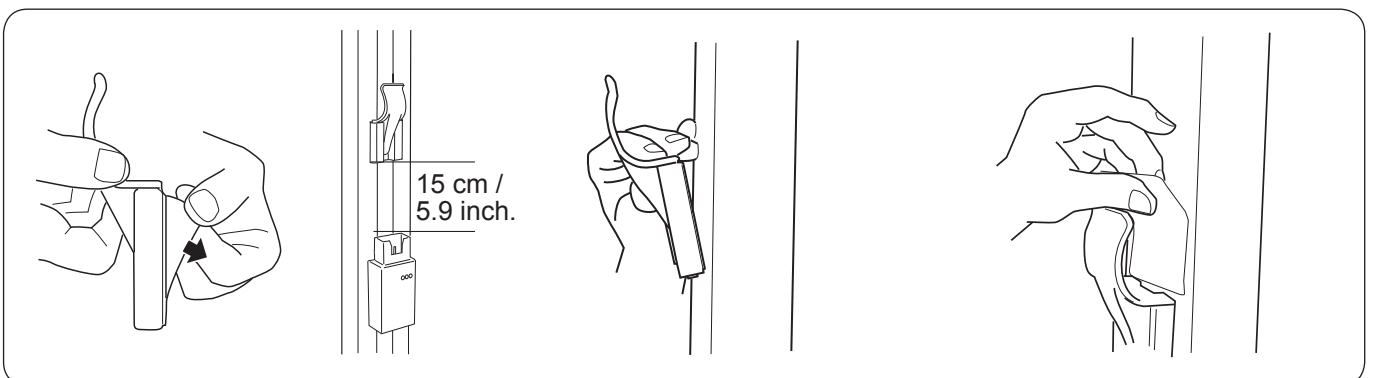
## Mounting the Charger and Parking Set

A battery charger for Likorall and Multirall is available as an accessory. The charger is affixed to the inner side of one of the upright supports using the pre-mounted double-adhesive tape (see instructions, below).



Remove the protective film from the double-adhesive tape (on the inner side of one of the upright supports).

Carefully place the charger over the tape, so that the edges are aligned. Apply pressure. For best results, allow the tape to bond for 24 hours before using the charger.

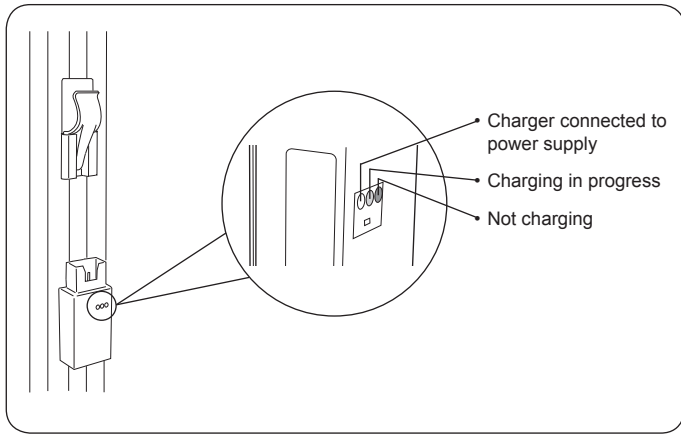


Remove the protective film from the double-adhesive tape on the parking bracket. The parking bracket should be positioned so that the distance between the upper edge of the charger and the lower edge of the parking bracket is at least 15 cm (5.9 inch.).

Affix the parking bracket to the upright support with the hook facing upward. For best results, allow the tape to bond for 24 hours before using the parking hook.

Apply the protective wear-guard foil behind the parking hook, as illustrated.





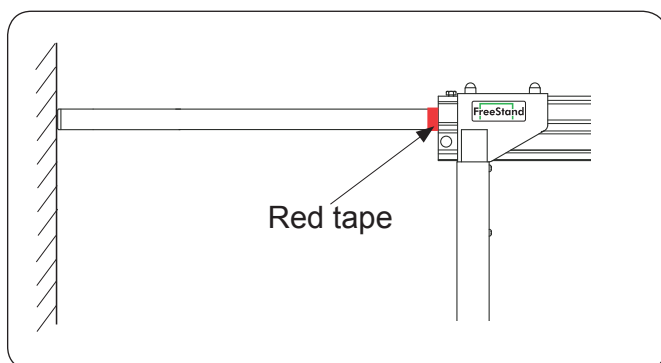
Now the charger and parking hook are ready for use.

## Operation

During lifting and transfer, FreeStand should be positioned so that the rail is always centred as much as possible directly above the centre of gravity. Lifting in a skewed direction has a negative effect on stability. This means that when lifting e.g., from a bed, the rail should be centred directly over the bed. This applies both when lifting from the bed to the bedside and to a location below the foot of the bed.



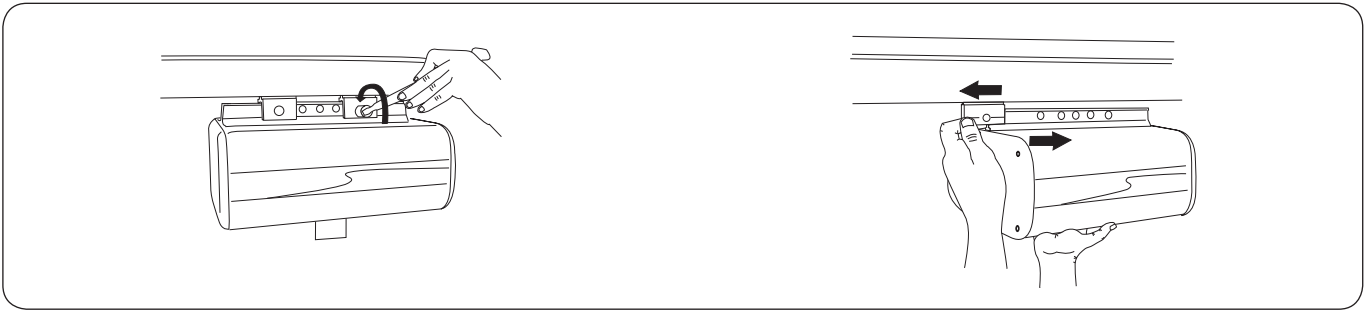
## Use of Support Arms



The support arms are used to stabilize FreeStand against the walls. This is not normally necessary, since FreeStand will not tip, even without support arms. To ensure optimal function, the protruding ends of the arms must be flush with the wall surface. If there is a gap between the support arm and the wall, there may be a risk of the support arm chafing against the wall, thus damaging the paint or wallpaper. Each support arm may only protrude at most 855 mm (33 inch.). The red marking on each support arm must not be visible after assembly (see illustration).

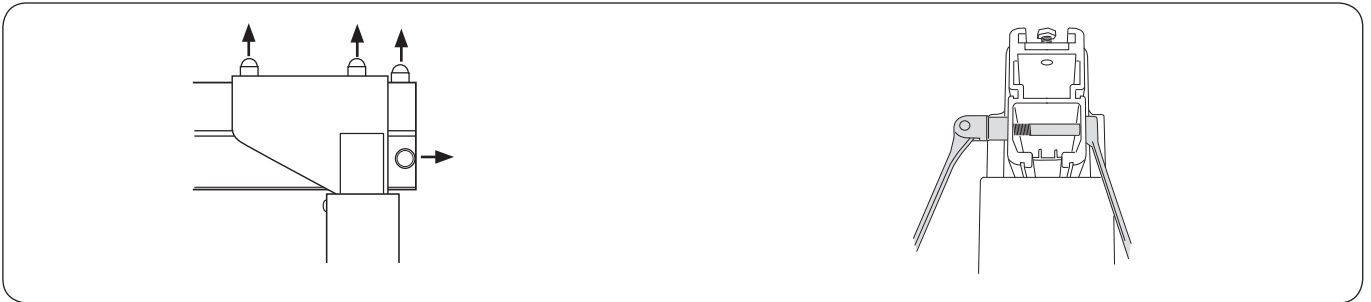


## Disassembly



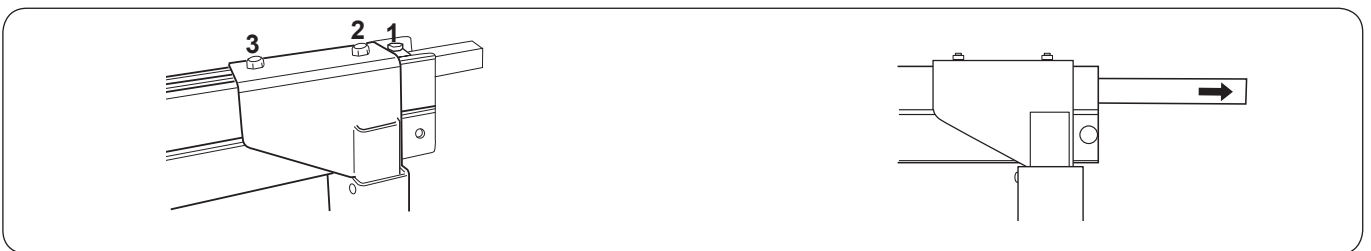
1. Unscrew bolts and nuts from the rail carriers.

2. Grasp the lift unit and slide off the rail carriers. Lift off the lift unit.



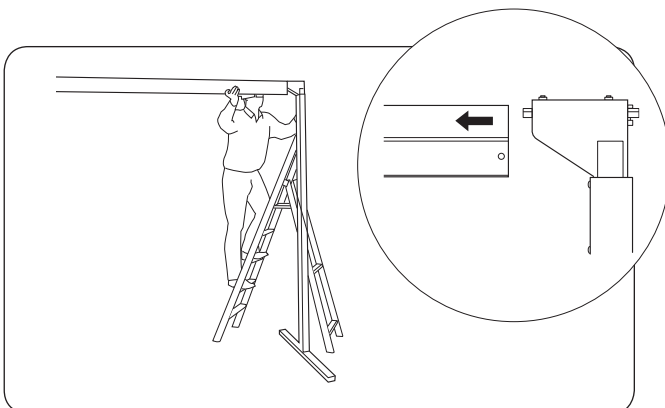
3. Remove the cover caps from the screws on the corner/locking rail and stop bolt on one end of the rail.

4. Remove the stop bolt.



5. Loosen the screws on the top of the corner and locking rail (1, 2 and 3).

6. Pull out the support arm.



7. Separate the rail from the upright support. Lay the rail end and the loose upright support on a stable underlying surface. Repeat steps 3 to 7 at the other end of the rail.

### Recommendations for Disassembly

We recommend that the charger and parking bracket be left on the upright support. If these are removed, the tape will lose its adhesiveness, making it difficult to re-mount them.

End stops and rail carriers can be left on the rail.

We recommend that the bases be left on the upright supports. Should it be necessary to remove the bases, for example, for transport, simply remove the screws from the bases and separate them from the upright supports (4 screws per upright).

# Inspection and Maintenance

To ensure trouble-free operation, certain details should be inspected each day the lift system is used.

- Check the lift system for any signs of external damage.
- Check rail carrier function.
- Check, where applicable, Quick-release Hook safety function.
- Ensure that all screws, bolts and nuts are tight.

When necessary, clean the lift system regularly using a damp cloth. **NOTE! Do not use cleaning agents that contain phenol or chlorine, since these can damage aluminium and polyamide material.**

## Inspection

FreeStand should undergo thorough inspection for wear at least once per year.

Inspection must be performed according to the Liko service manual and by authorized personnel.

### **IMPORTANT!**

Repairs and maintenance may only be carried out by authorized Liko service personnel using original Liko spare parts.

## Storage

The lift system must be stored at a temperature above the freezing point and at normal relative humidity (not exceeding 60%).

## Service agreements

Liko invites you to sign a service agreement for regular maintenance and testing of your lift system.

Liko's products undergo continuous development, which is why we reserve the right to make changes in products without prior notice. Contact your Liko representative for advice and information about product upgrades.

## Recycling

For instructions on how the lift system should be recycled, please see our website: [www.liko.com](http://www.liko.com).

## Made in Sweden

*Liko is quality certified according to ISO 9001 and its equivalence for the medical device industry, ISO 13485. Liko is also certified according to environmental standard ISO 14001.*



A  Company

[www.liko.com](http://www.liko.com)

### Manufacturer:

Liko AB  
Nedre vägen 100  
SE-975 92 Luleå  
+46 (0)920 474700  
Sweden